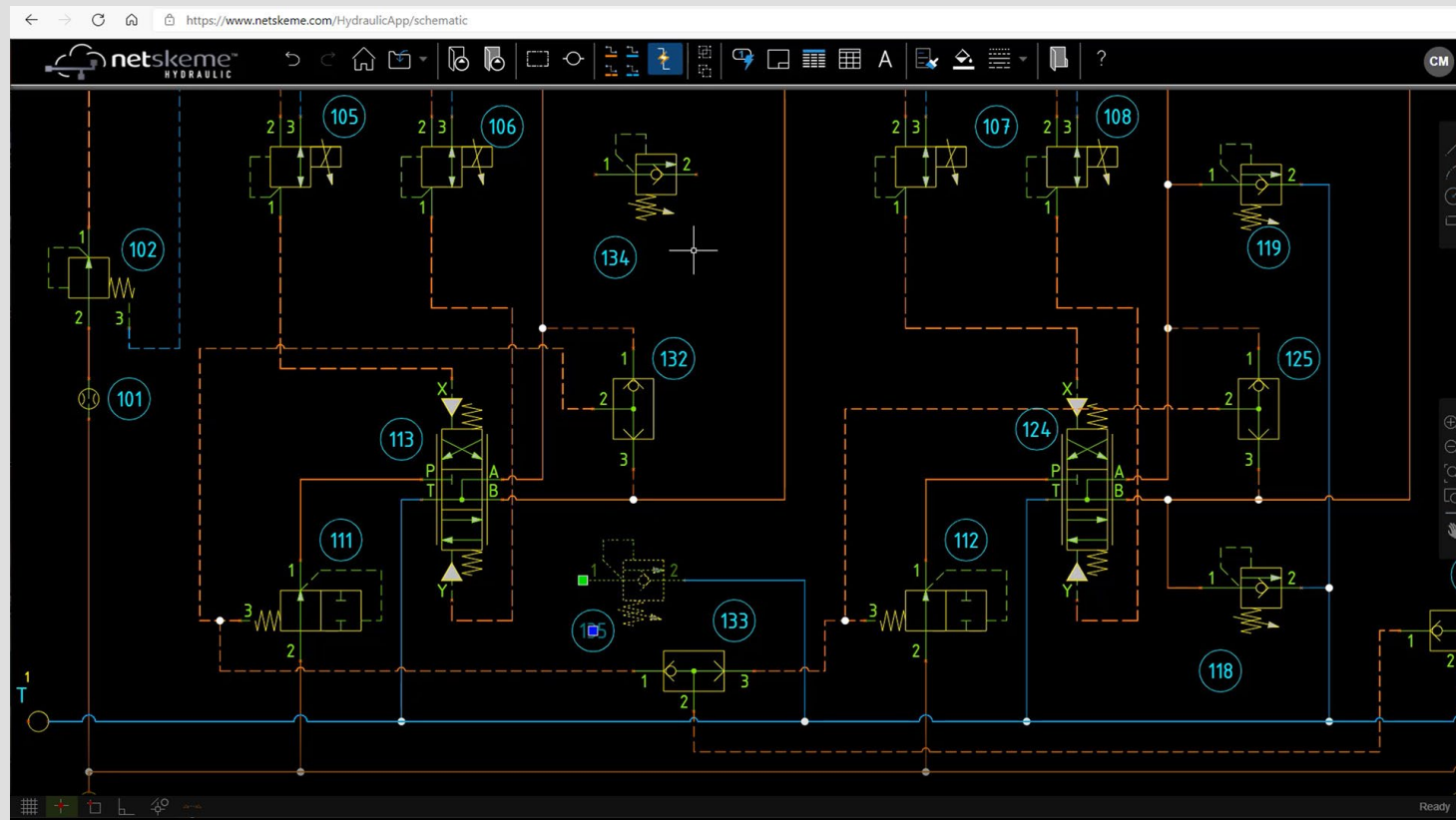


NetSkeme® October 2021

What's New



NetSkeme® What's New

Connection Line Routing Enhancements

Routing at Bends

No Missing Jumpers

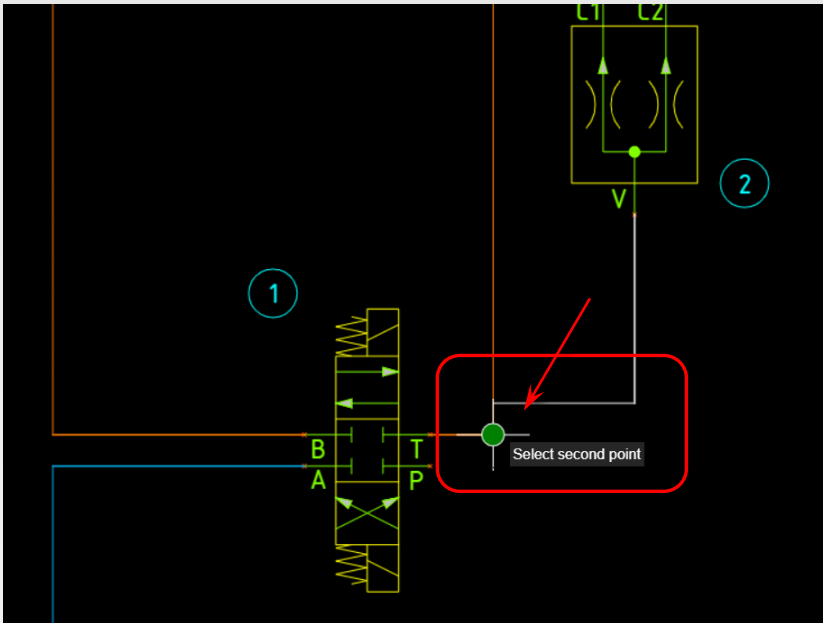
2 mm Jumper Size

Miscellaneous

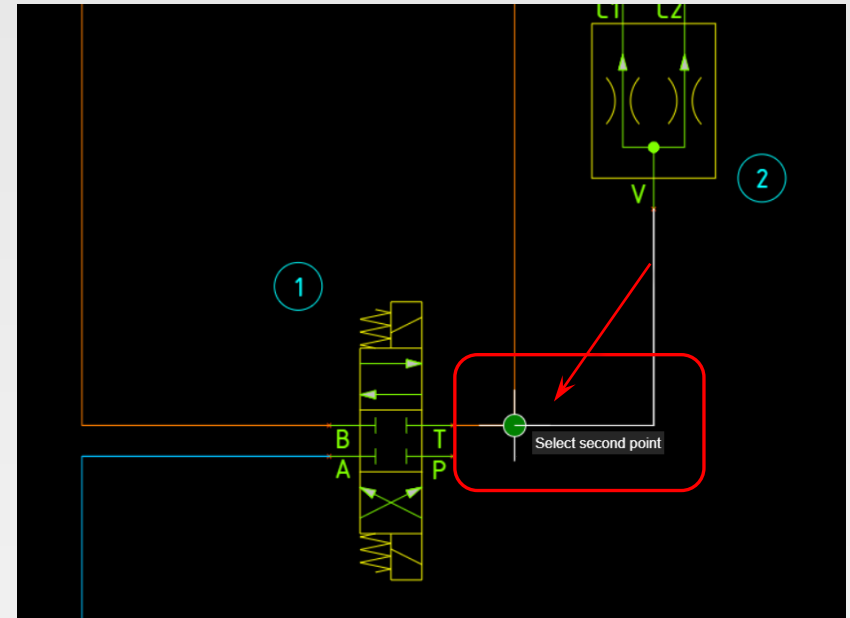
Routing at Bends

Connections can now be made at bends

Previous



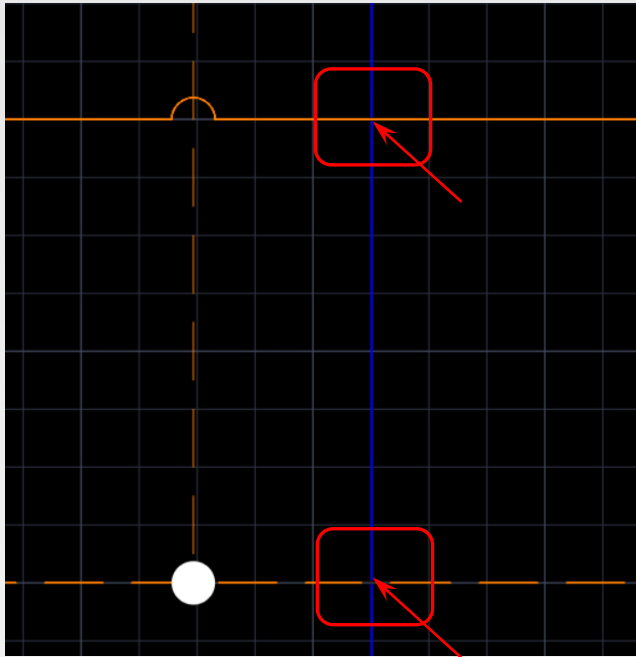
Enhanced



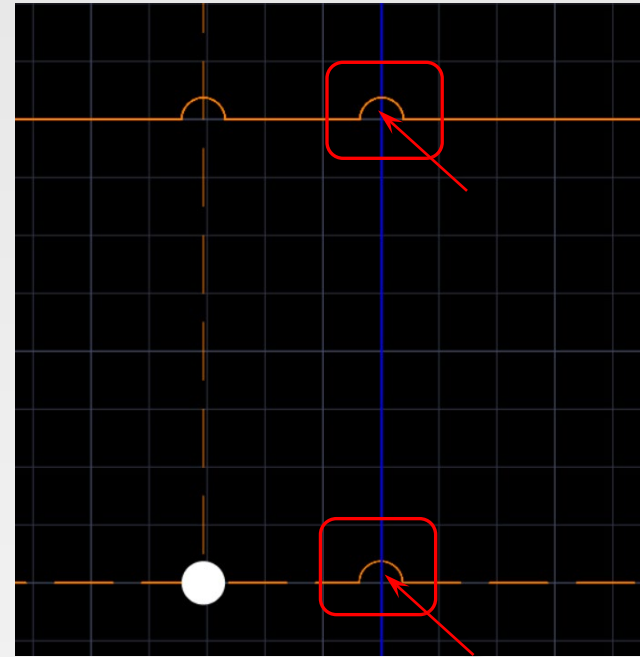
No Missing Jumpers

Cases where jumpers have gone missing is now fixed

Previous



Enhanced

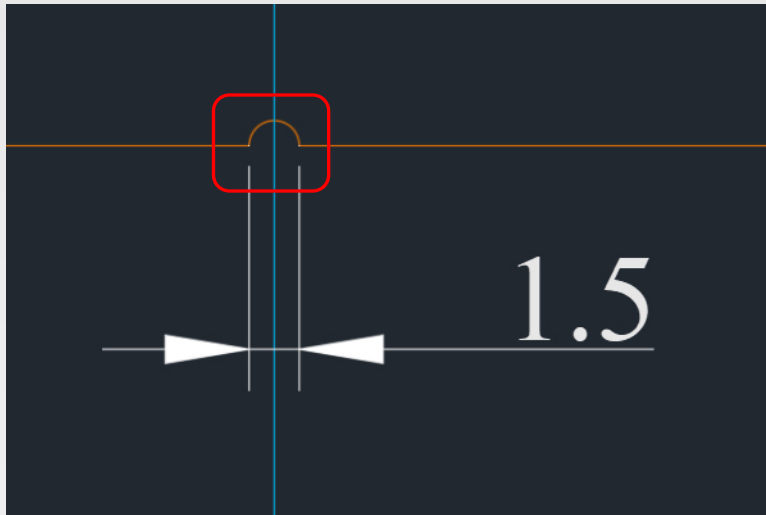


NEW

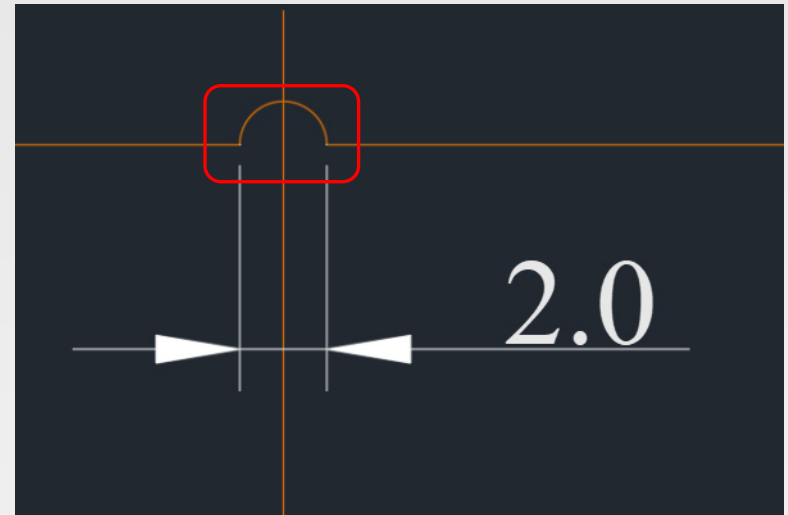
2 mm Jumper Size

Jumper size updated to 2 mm to match HyDraw CAD standard

Previous



Enhanced



External Port library loading speed enhanced to nearly less than a second

Special Cases

Moving symbols with arrow keys no longer results in lost connection dots or overlapping lines

Previously reported error causing freezing when making a connection fixed with new algorithm



netskeme[®]
HYDRAULIC

Schematic on the Cloud

USA: +1 (248) 649-9550 sales@netskeme.com

Europe: +39 328 695 7001 carlo.molon@VESTusa.com

